

Wheels

| | |
|------------------------------|---------|
| Front wheels roller width | 1200 mm |
| Front wheels roller diameter | 1525 mm |
| Rear wheels roller width | 1200 mm |
| Rear wheels roller diameter | 1525 mm |

Sizes

| | |
|-----------------------------------|---------|
| Length with blade on ground level | 7718 mm |
| Width between wheels | 3800 mm |
| Height to cab upper part | 3987 mm |
| Wheelbase | 3530 mm |
| Clearance | 505 mm |

Operation

| | |
|-------------------------------|----------|
| Working weight | 31630 kg |
| Fuel Capacity | 600 l. |
| Hydraulic system fluid volume | 115 l. |
| Engine oil volume | 28 l. |
| Cooling system fluid volume | 85 l. |
| Transmission fluid volume | 62 l. |
| Operating voltage | 24 V |

| | |
|----------------------------|------------|
| Generator current strength | 50 amperes |
|----------------------------|------------|

Motor

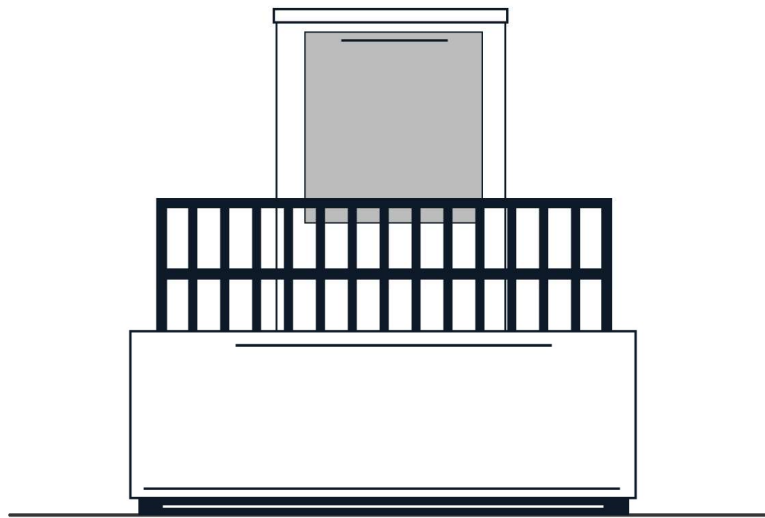
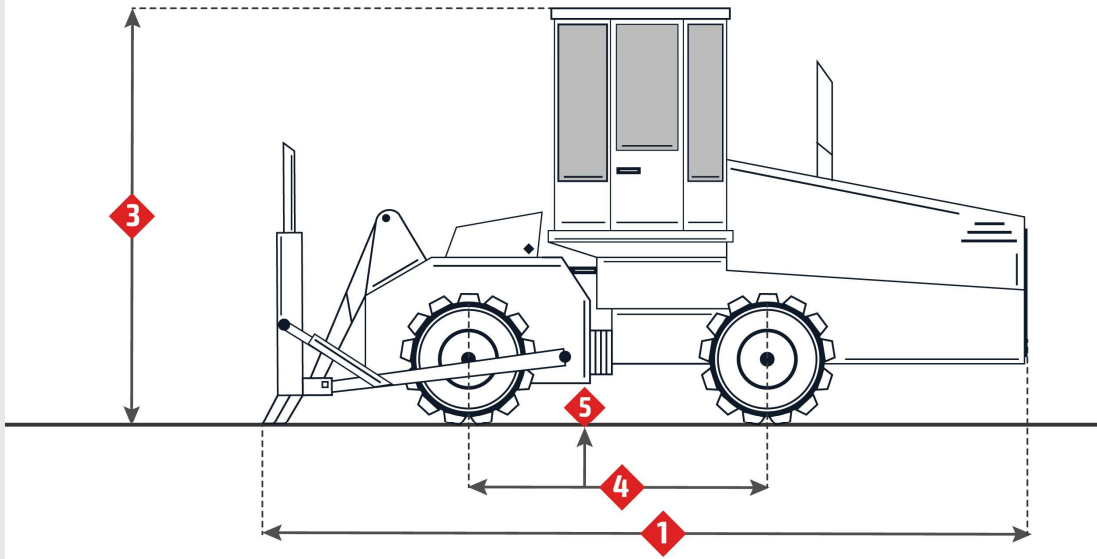
| | |
|-------------------|----------------|
| Full power | 254.3 kW |
| Effective power | 234.9 kW |
| Power measured at | 2100 rev / min |
| Displacement | 14.6 l. |
| Cylinders number | 6 |
| Aspiration | turbocharging |
| Manufacturer | Caterpillar |
| Model | 3406 |

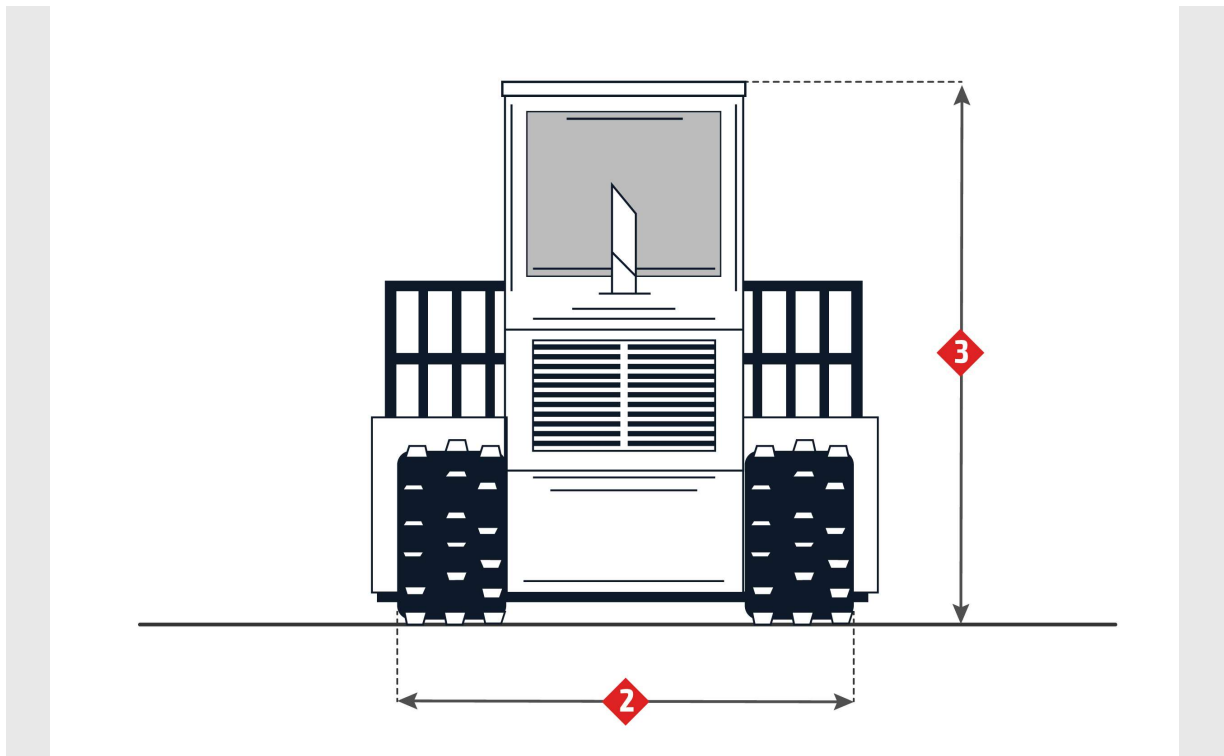
Gear box

| | |
|----------------------|--|
| Transmission type | Cat. planetary powershift transmission |
| Forward gears number | 4 |
| Reverse gears number | 4 |
| Maximum speed | 32.5 km/h |

Blades

| | |
|--------|---------|
| Height | 1930 mm |
| Width | 4470 mm |





Images

Sizes

| | |
|--------------------------------------|---------|
| 3. Height to cab upper part | 3987 mm |
| 4. Wheelbase | 3530 mm |
| 5. Clearance | 505 mm |
| 1. Length with blade on ground level | 7718 mm |
| 2. Width between wheels | 3800 mm |